

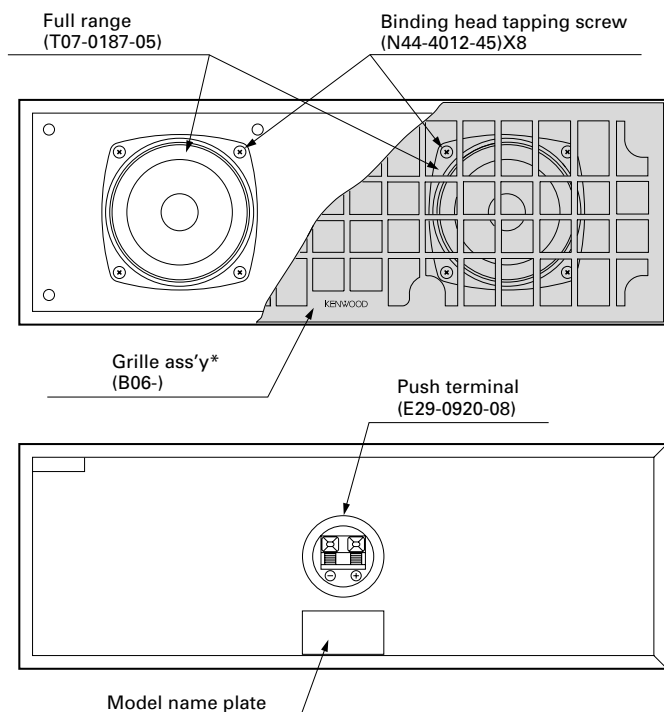
FULL RANGE SPEAKER SYSTEM
CRS-177-EX-B
CRS-177-EX-W
SERVICE MANUAL

KENWOOD

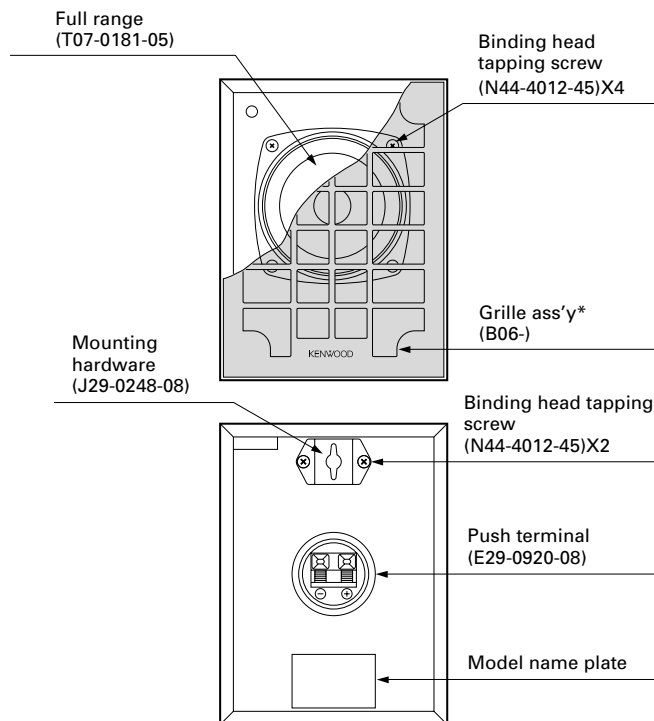
©2003-2 PRINTED IN KOREA
 B51-5852-00 (Z/K) 324

EXTERNAL VIEW

CENTER SPEAKER x1



REAR SPEAKER x3



* refer to Parts List

SPECIFICATIONS

	Center speaker	Rear speaker
Enclosure	Acoustic Air Suspension	Acoustic Air Suspension
Loudspeaker	Full Range 10 cm (4") Cone typeX2	Full Range 10 cm (4") Cone type
Nominal Impedance	8Ω	8Ω
Maximum Input Power	100W	40W
Rated Input Power	50W	20W
Sensitivity	89dB/W at 1m	88dB/W at 1m
Frequency Response	70 Hz ~ 20,000 Hz	80 Hz ~ 20,000 Hz
Dimensions	Width: 440mm (17-5/16")	150mm (5-7/8")
	Height: 150mm (5-7/8")	200mm (7-7/8")
	Depth: 162mm (6-3/8")	148mm (5-13/16")
Net Weight	3.2kg (7.0lb)	1.4kg (3.1lb)
Enclosure Finish	High density particle laminated with P.V.C sheet	
Accessories	Speaker cord 8m X3, 3m X1	

Note: _____

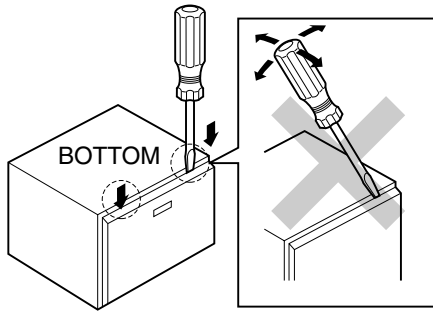
KENWOOD follows a policy of continuous advancements in development. For this reason specifications may be changed without notice.



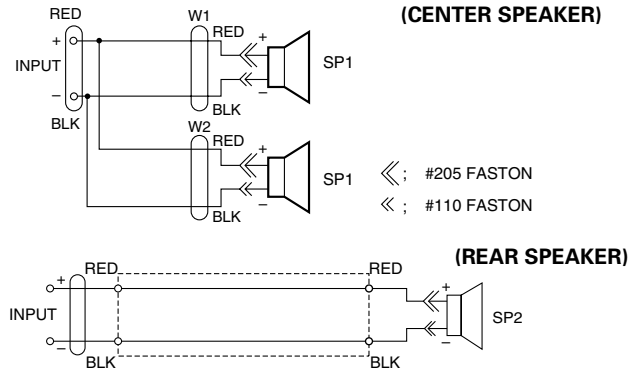
CRS-177EX-B/-W

DISASSEMBLY FOR REPAIR/SCHEMATIC DIAGRAM/PARTS LIST

DISASSEMBLY FOR REPAIR



SCHEMATIC DIAGRAM



PARTS LIST

* New Parts
 Parts without **Parts No.** are not supplied.
 Les articles non mentionnés dans le **Parts No.** ne sont pas fournis.
 Teile ohne **Parts No.** werden nicht geliefert.

Ref. No.	Address	New Parts	Parts No.	Description	Destination	Remarks
CRS-177EX-B/EX-W						
-		*	B46-0310-03	WARRANTY CARD		
-		*	B61-1184-00	INSTRUCTION MANUAL		
-		*	E30-7014-05	SPEAKER CORD (3m) x1		
-		*	E30-7015-05	SPEAKER CORD (8m) x3		
-		*	H10-8380-08	POLYSTYRENE FOAMED FIXTURE		
-			H25-1046-08	PROTECTION BAG (SPEAKER)		
-			H25-1047-08	PROTECTION BAG		
-		*	H51-1957-08	ITEM CARTON CASE (EX-W)		
-		*	H51-1961-08	ITEM CARTON CASE (EX-B)		
CENTER SPEAKER						
-			B06-1083-03	GRILLE ASSY (EX-B)		
-			B06-1394-03	GRILLE ASSY (EX-W)		
-			E29-0920-08	PUSH TERMINAL		
SP1			T07-0187-05	FULLRANGE		
REAR SPEAKER						
-			B06-1084-03	GRILLE ASSY (EX-B)		
-			B06-1364-03	GRILLE ASSY (EX-W)		
-			E29-0920-08	PUSH TERMINAL		
-			J29-0248-08	MOUNTING HARDWARE		
SP2			T07-0181-05	FULLRANGE		

L: Scandinavia **K:** USA **P:** Canada **R:** Mexico **C:** China **I:** Malaysia
Y: PX(For East Hawaii) **T:** England **E:** Europe **G:** Germany **V:** China(Shanghai)
Y: AAFES(Europe) **X:** Australia **Q:** Russia **H:** Korea **M:** Other Areas indicates safety critical components.